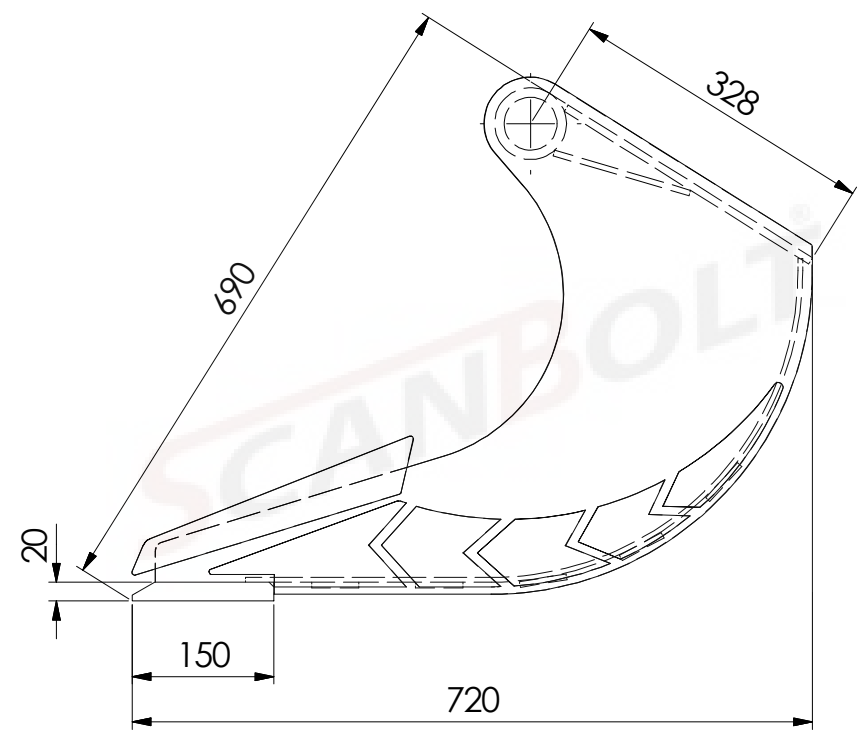
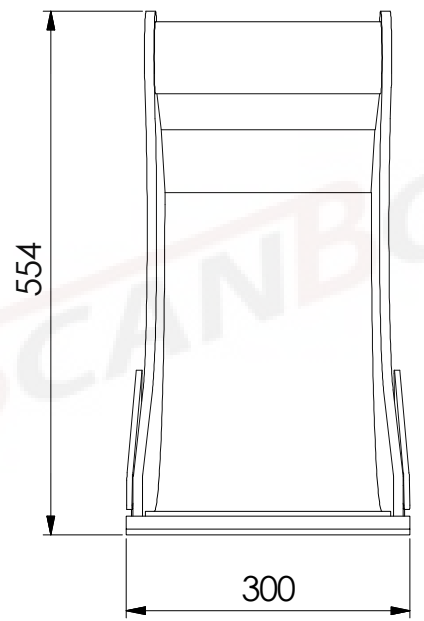
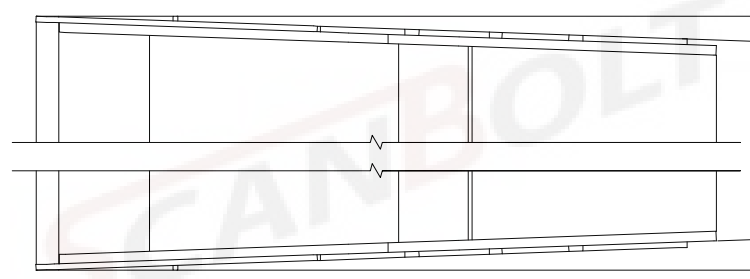
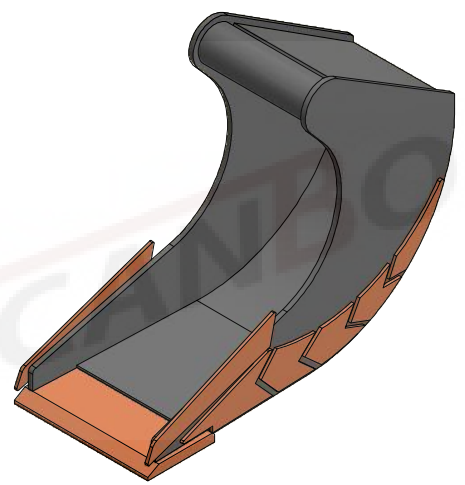







8 7 6 5 4 3 2 1

2.0°
2.0°



| MATERIAL SPECIFICATION | |
|--|-----------------|
|  | ST52.3 |
|  | EN8D |
|  | HB 400 |
|  | HB 450 |
|  | CASTALLOY STEEL |

| SCANBOLT® | |
|------------------|-------------------|
| DESCRIPTION | 30 CM CLAY BUCKET |
| MACHINE CLASS | 3.5 - 4.9 TON |
| WEIGHT | 57 Kg |
| HEAPED CAPACITY | 58 LITERS |

8 7 6 5 4 3 2 1